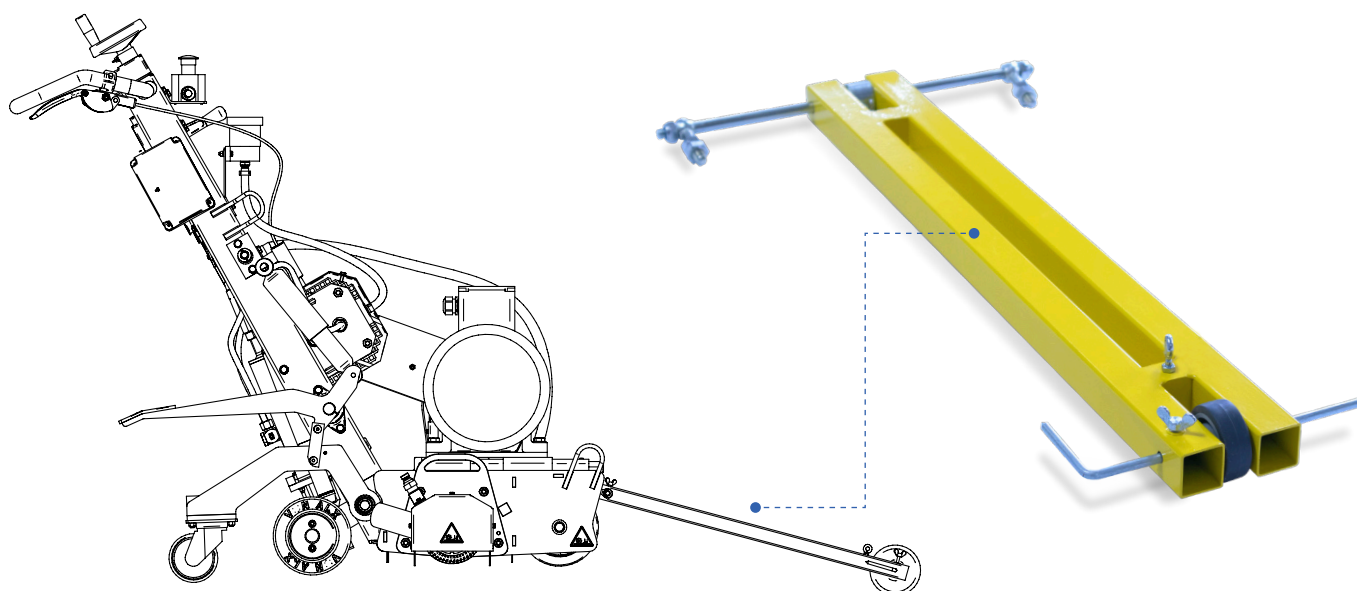


DIRECTIONAL GUIDE

701235

Field of application

The directional guide is particularly designed for DTF 25 SH machines to be able to follow the given direction accurately.

Physical parameters

Weight kg / lbs	2.5 / 5.5
Dimensions mm / inch	712×340×50 / 28×13×2