



DTF 35 SH

LPG

Article code	Power	Wattage/HP
800025	3×400 V, 50 HZ	26 kW / 35 HP

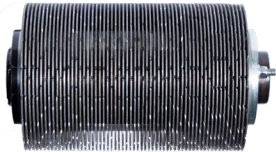
Key features	
Cutting width	35 cm / 14"
Distance to wall	10.7 cm / 4"
Cutting depth	Up to 25 mm / 1"
Production / h	Up to 60 m ² / h, 197 f ² / h on full depth


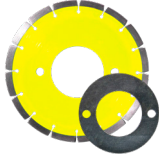
Physical parameters	
Weight kg / lbs	323 kg / 712 lbs
Dimensions cm / inch	138×71×113 cm / 54×28×45"



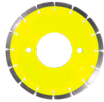



Field of application	
<p>Depending on the blade type, hard, brittle to firm or elastic surface materials can be worked e.g.:</p>	<ul style="list-style-type: none"> • Asphalt and cast asphalt surfaces • Concrete and cement, synthetic stone, floor tiles • Screeds of cement, wood cement, ceramic etc. • Natural stone • Thermoplastic materials
<p>Surfaces made of highly elastic soft materials or fabrics and fiber materials cannot be worked, or can only be worked with certain limitations e.g.:</p>	<ul style="list-style-type: none"> • Latex, rubber, soft plastics and foam materials • Wood, carpets and woven materials

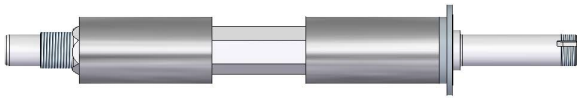

NOTE: The machines are delivered without any blades, drums or sets!

SPARE PARTS

Complete drum 350 mm width					
Article code	Spacer count	Space inbetween	Concrete type	Blade count	
600306	80 × 4 mm	12 mm	Regular	27	
800038	54 × 5 mm	5 mm	Regular	53	
800047	99 × 2 mm	2 mm	Regular	98	
800037	80 × 4 mm	12 mm	Hard	27	
800039	54 × 5 mm	5 mm	Hard	53	
800048	99 × 2 mm	2 mm	Hard	98	

Blades set for drum 350 mm width					
Article code	Blade count	Spacer count	Space inbetween	Concrete type	
800043	27	80 × 4 mm	12 mm	Regular	
800045	53	54 × 5 mm	5 mm	Regular	
800049	98	99 × 2 mm	2 mm	Regular	
800044	27	80 × 4 mm	12 mm	Hard	
800046	53	54 × 5 mm	5 mm	Hard	
800050	98	99 × 2 mm	2 mm	Hard	

Single parts for drum					Single parts for drum			
Type	Size	Concrete type	Article code		Type	Size	Article code	
Single blade	230 mm / 9"	Regular	600951		Spacer	4 mm	600948	
Single blade	230 mm / 9"	Hard	600950		Spacer	5 mm	600949	
Spacer	2 mm		600947		Empty drum		800113	

Distance sets		
800119	Distance bush shaft set 10 cm	
800120	Distance bush shaft set 15 cm	
800121	Distance bush shaft set 17 cm	
800122	Distance bush shaft set 20 cm	
800123	Distance bush shaft set 25 cm	
800124	Distance bush drum set 10 cm	
800125	Distance bush drum set 15 cm	
800126	Distance bush drum set 17 cm	
800127	Distance bush drum set 20 cm	
800128	Distance bush drum set 25 cm	

NOTE: The sets consists of three bushings: two custom made and one universal.